

QUAKER WINDOWS PRODUCTS CO. INC.

SERIES 340 (E700) FIXED WINDOW



504 HIGHWAY 63 SOUTH
FREEBURG, MO 65582
PH: (651) 264-5150 FX: (651) 264-5485

INSTALLATION NOTES:

- ONE (1) INSTALLATION ANCHOR IS REQUIRED AT EACH ANCHOR LOCATION SHOWN, UNLESS OTHERWISE STATED.
- THE NUMBER OF INSTALLATION ANCHORS DEPICTED IS THE MINIMUM NUMBER OF ANCHORS TO BE USED FOR PRODUCT INSTALLATION.
- INSTALL INDIVIDUAL INSTALLATION ANCHORS WITHIN A TOLERANCE OF $\pm 1/16$ INCH OF THE DEPICTED LOCATION IN THE ANCHOR LAYOUT DETAIL (I.E., WITHOUT CONSIDERATION OF TOLERANCES). TOLERANCES ARE NOT CUMULATIVE FROM ONE INSTALLATION ANCHOR TO THE NEXT.
- FOR INSTALLATION INTO 2X WOOD BUCK OR FRAMING, USE ONE #10 WOOD SCREW, TYPE INSTALLATION ANCHOR PER LOCATION OF SUFFICIENT LENGTH TO ACHIEVE A MINIMUM 1 1/2" EMBEDMENT.
- FOR INSTALLATION INTO METAL STUD, USE ONE #10 SELF-DRILLING SCREW, TYPE INSTALLATION ANCHOR PER LOCATION OF SUFFICIENT LENGTH TO ACHIEVE MINIMUM PENETRATION OF 3 THREADS BEYOND METAL STRUCTURE.
- MINIMUM EMBEDMENT AND EDGE DISTANCE EXCLUDE WALL FINISHES, INCLUDING BUT NOT LIMITED TO STUCCO, FOAM, BRICK VENEER, AND SIDING.
- INSTALLATION ANCHORS AND ASSOCIATED HARDWARE MUST BE MADE OF CORROSION RESISTANT MATERIAL OR HAVE A CORROSION RESISTANT COATING.
- INSTALLATION ANCHORS SHALL BE INSTALLED IN ACCORDANCE WITH ANCHOR MANUFACTURER'S INSTALLATION INSTRUCTIONS, AND ANCHORS SHALL NOT BE USED IN SUBSTRATES WITH STRENGTHS LESS THAN THE MINIMUM STRENGTH SPECIFIED BY THE ANCHOR MANUFACTURER.
- INSTALLATION ANCHOR CAPACITIES FOR PRODUCTS HEREIN ARE BASED ON SUBSTRATE MATERIALS WITH THE FOLLOWING PROPERTIES:
 - STEEL - MIN. TENSILE YIELD STRENGTH OF 33 KSI. MIN. 18 GAUGE THICKNESS (0.0478"). MIN 1/2" EDGE DISTANCE.
 - WOOD - MINIMUM SPECIFIC GRAVITY = 0.42
 - ALUMINUM - MIN. 6063-T5, MIN 1/8" WALL THICKNESS, MIN. 1/2" EDGE DISTANCE.

GENERAL NOTES:

- THE PRODUCT SHOWN HEREIN IS DESIGNED AND MANUFACTURED TO COMPLY WITH THE 2009 IBC, IRC, AND 2010 FLORIDA BUILDING CODE, EXCLUDING HVHZ, AND HAS BEEN EVALUATED TO THE FOLLOWING:
 - AAMA/WDMA/CSA 101/I.S.2/A440-08
 - AAMA 450-00
 - ASTM E1886-02
 - ASTM E1996-02
- ADEQUACY OF THE EXISTING STRUCTURAL 2X WOOD FRAMING OR METAL STUD FRAMING AS A MAIN WIND FORCE RESISTING SYSTEM CAPABLE OF WITHSTANDING AND TRANSFERRING APPLIED PRODUCT LOADS TO THE FOUNDATION IS THE RESPONSIBILITY OF THE ENGINEER OR ARCHITECT OF RECORD FOR THE PROJECT OF INSTALLATION.
- THE INSTALLATION DETAILS DESCRIBED HEREIN ARE GENERIC AND MAY NOT REFLECT ACTUAL CONDITIONS FOR A SPECIFIC SITE. IF SITE CONDITIONS CAUSE INSTALLATION TO DEVIATE FROM THE REQUIREMENTS DETAILED HEREIN, A LICENSED ENGINEER OR ARCHITECT SHALL PREPARE SITE SPECIFIC DOCUMENTS FOR USE WITH THIS DOCUMENT IN NON-HVHZ AREA.
- APPROVED IMPACT PROTECTIVE SYSTEM **IS NOT REQUIRED** TO PROTECT THIS PRODUCT IN AREAS REQUIRING IMPACT RESISTANCE.
- GLAZING SHALL COMPLY WITH LOAD RESISTANCE REQUIREMENTS PER ASTM E1300-04.
- FRAME MATERIAL: 6063-T6 ALUMINUM
- CONFIGURATIONS:
 - O - FIXED

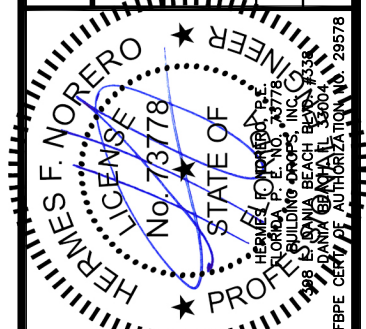
TABLE OF CONTENTS		
SHEET	REVISION	SHEET DESCRIPTION
1	-	INSTALLATION AND GENERAL NOTES
2	-	ELEVATION & ANCHOR LAYOUTS
3	-	VERTICAL SECTIONS AND GLAZING DETAIL
4	-	HORIZONTAL SECTIONS
5	-	BILL OF MATERIALS & COMPONENTS

MAX. DESIGN PRESSURE RATING	
+50.0 / -50.0 PSF	LARGE & SMALL MISSILE IMPACT RATED

TITLE: SERIES 340 (E700)
FIXED WINDOW
INSTALLATION AND
GENERAL NOTES

PREPARED BY:
BUILDING DROPS, INC.
398 E. DANIA BEACH BLVD. #338
DANIA BEACH, FL 33004
PH: (954) 399-8478 FX: (954) 744-4738

REVISIONS	DESCRIPTION	NO.	BY	DATE

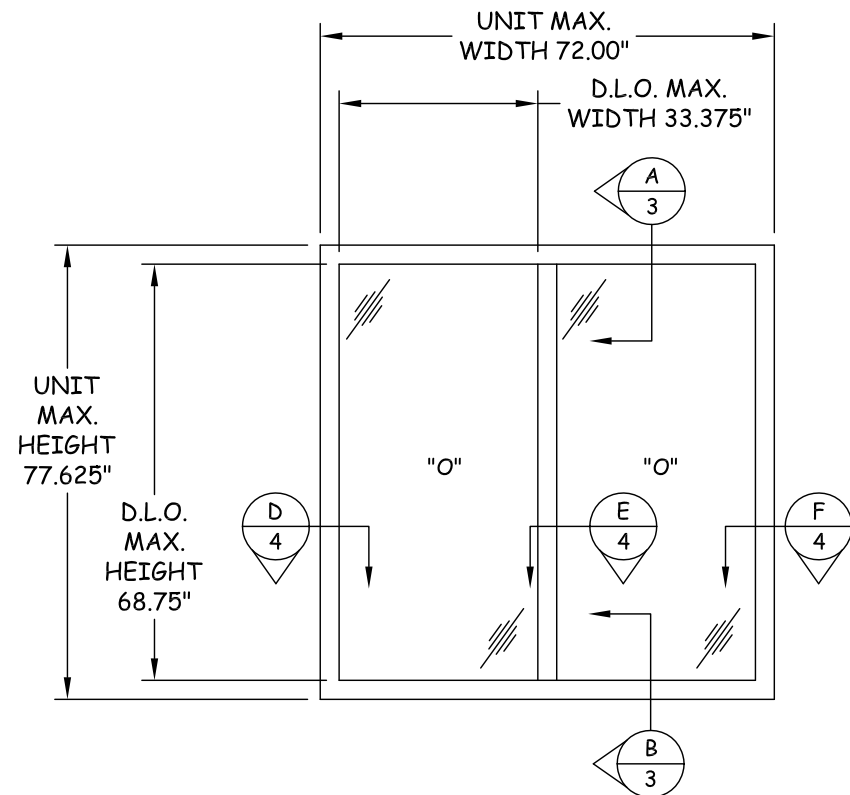


DATE: 07.17.12
DWN BY: MSS
CHK BY: HFN
SCALE: NTS

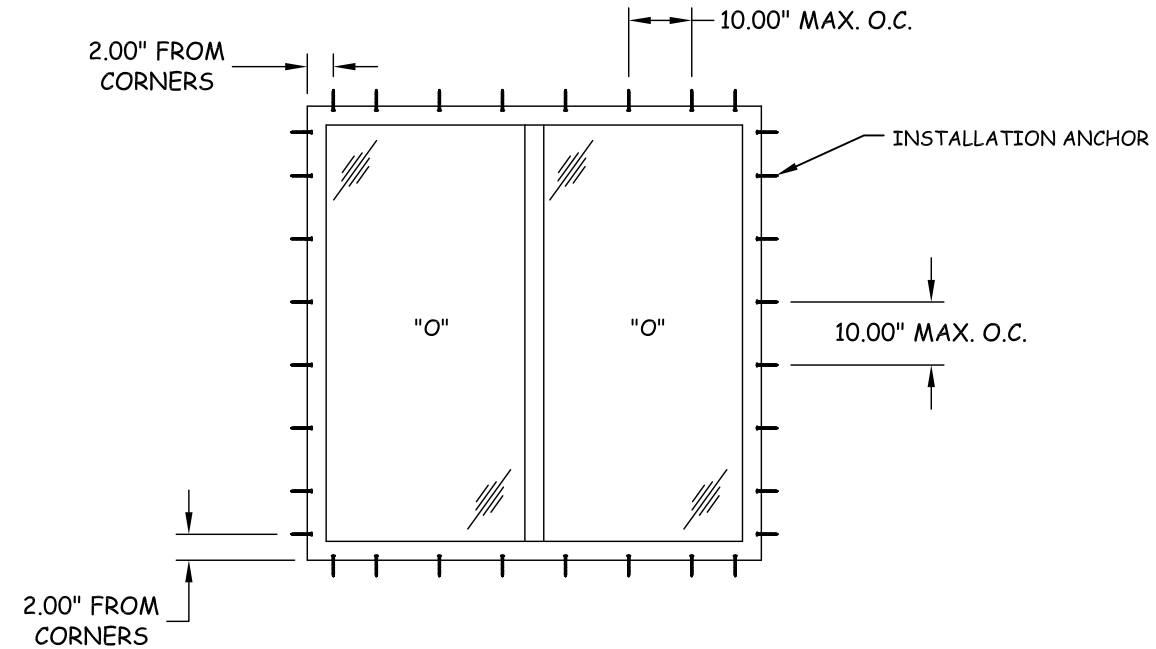
DWG #: **QWP010**
SHEET: **1 OF 5**



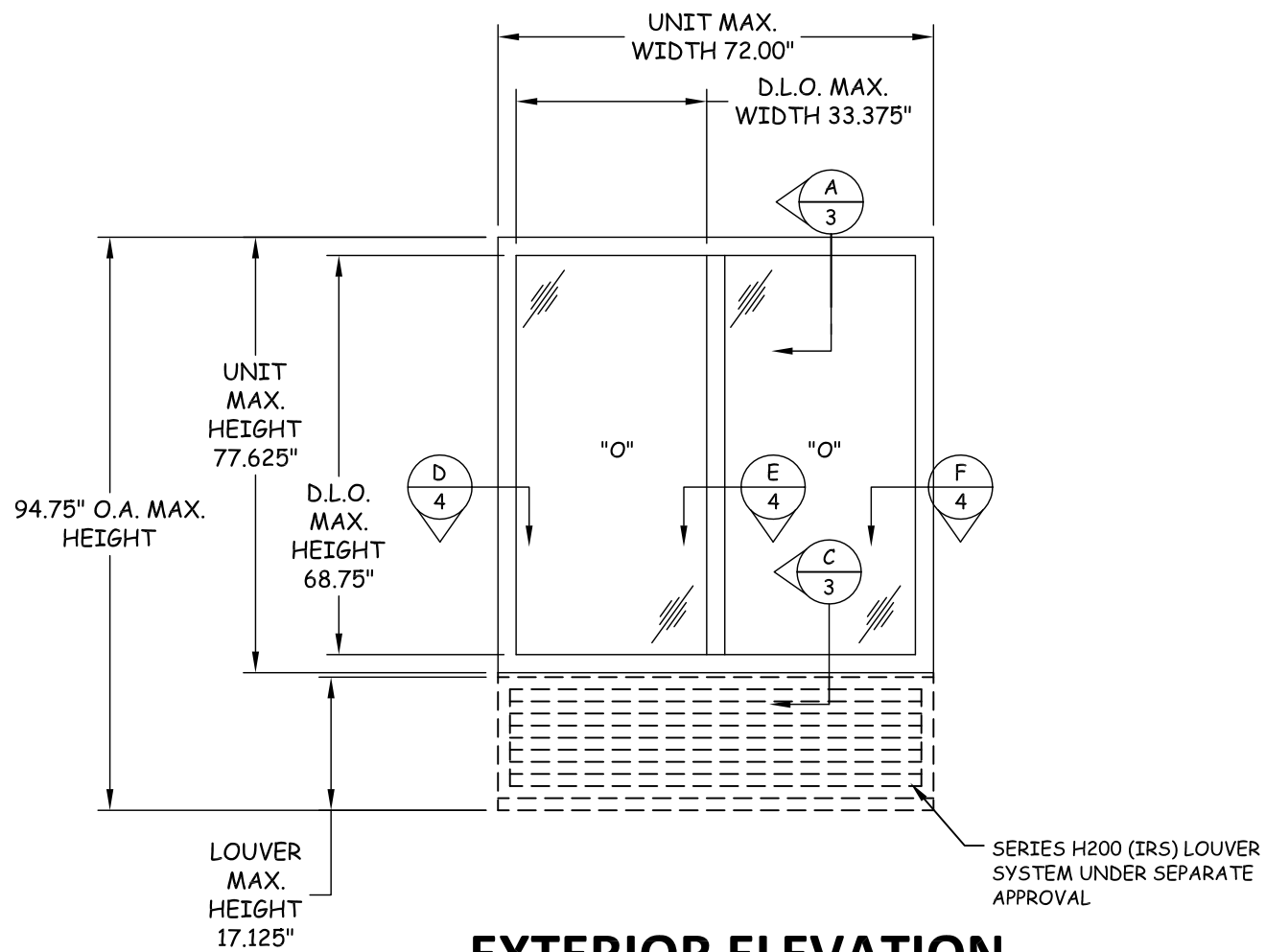
504 HIGHWAY 63 SOUTH
FREEBURG, MO 65582
PH: (651) 264-5150 FX: (651) 264-5485



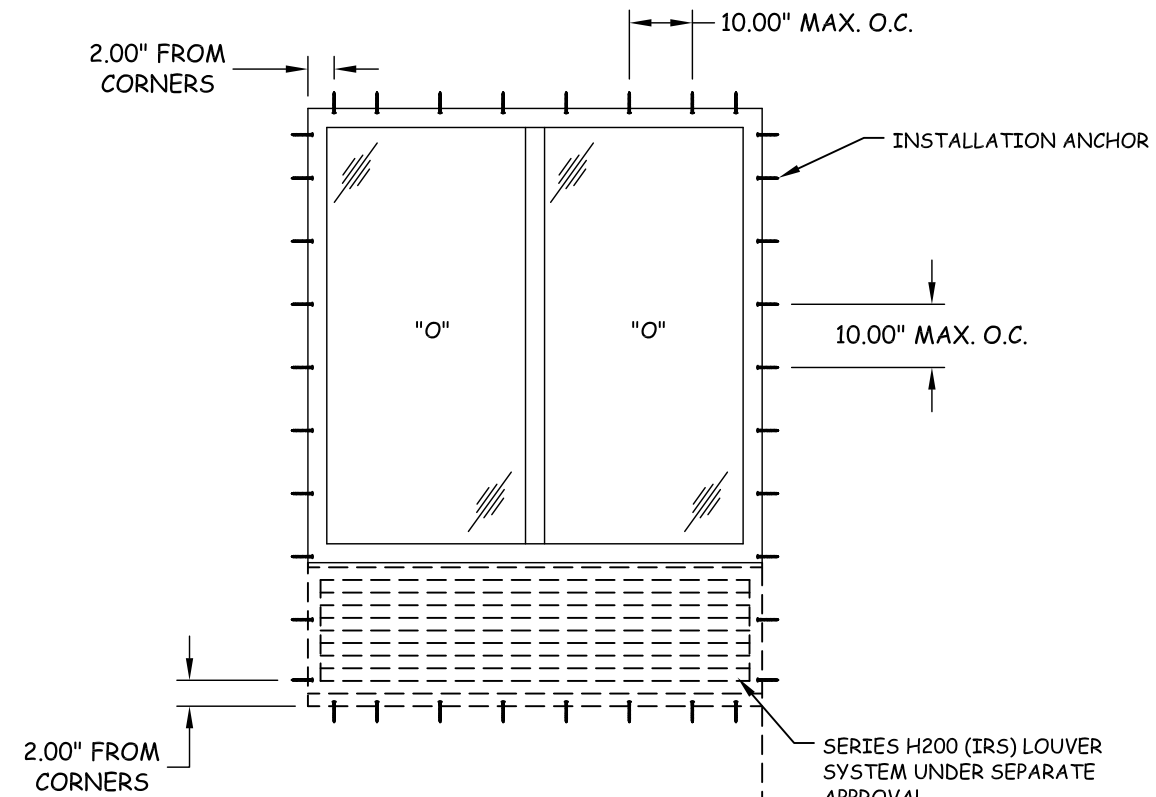
EXTERIOR ELEVATION



ANCHOR LAYOUT



**EXTERIOR ELEVATION
WITH LOUVER**

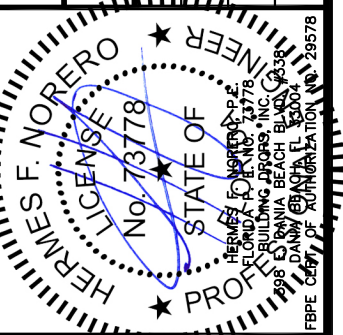


**ANCHOR LAYOUT
WITH LOUVER**

TITLE: SERIES 340 (E700)
FIXED WINDOW
ELEVATION &
ANCHOR LAYOUTS

PREPARED BY:
BUILDING DROPS, INC.
398 E. DANIA BEACH BLVD. #338
DANIA BEACH, FL 33004
PH: (954) 399-8478 FX: (954) 744-4738

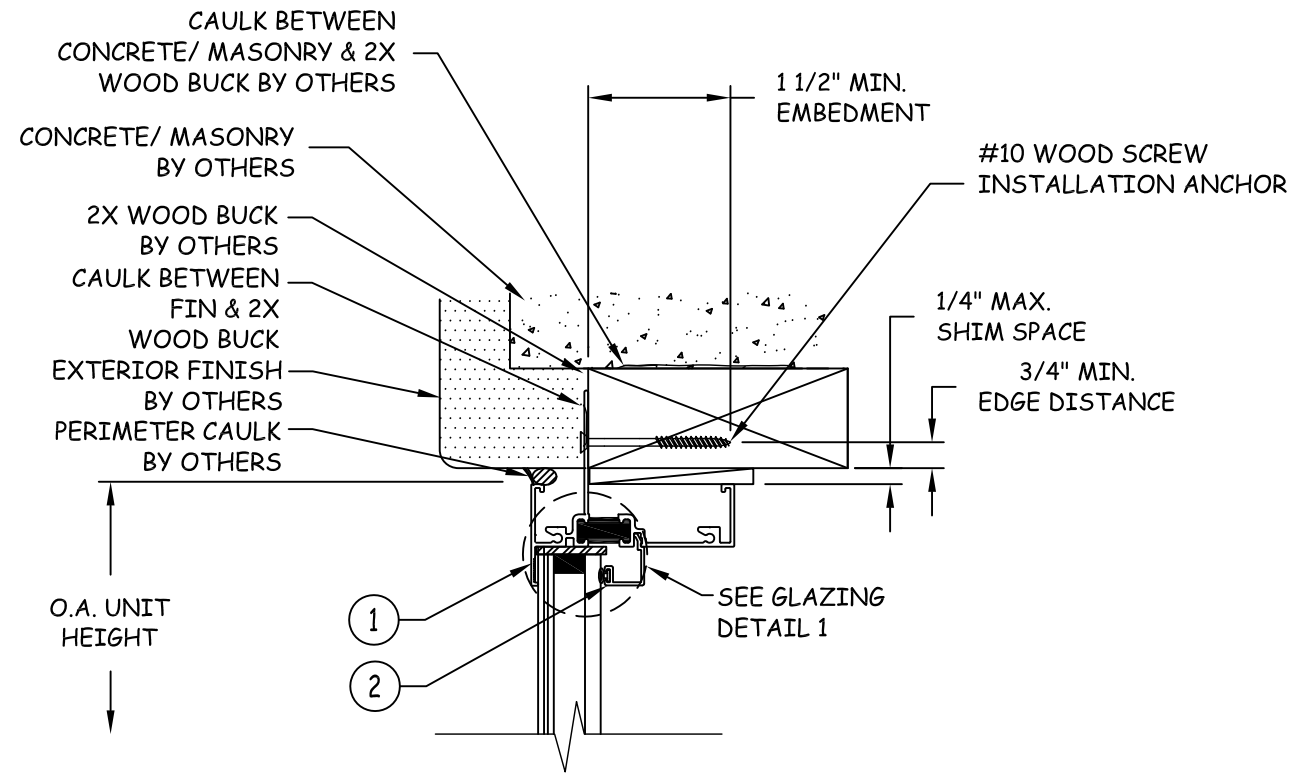
NO.	DESCRIPTION	BY	DATE



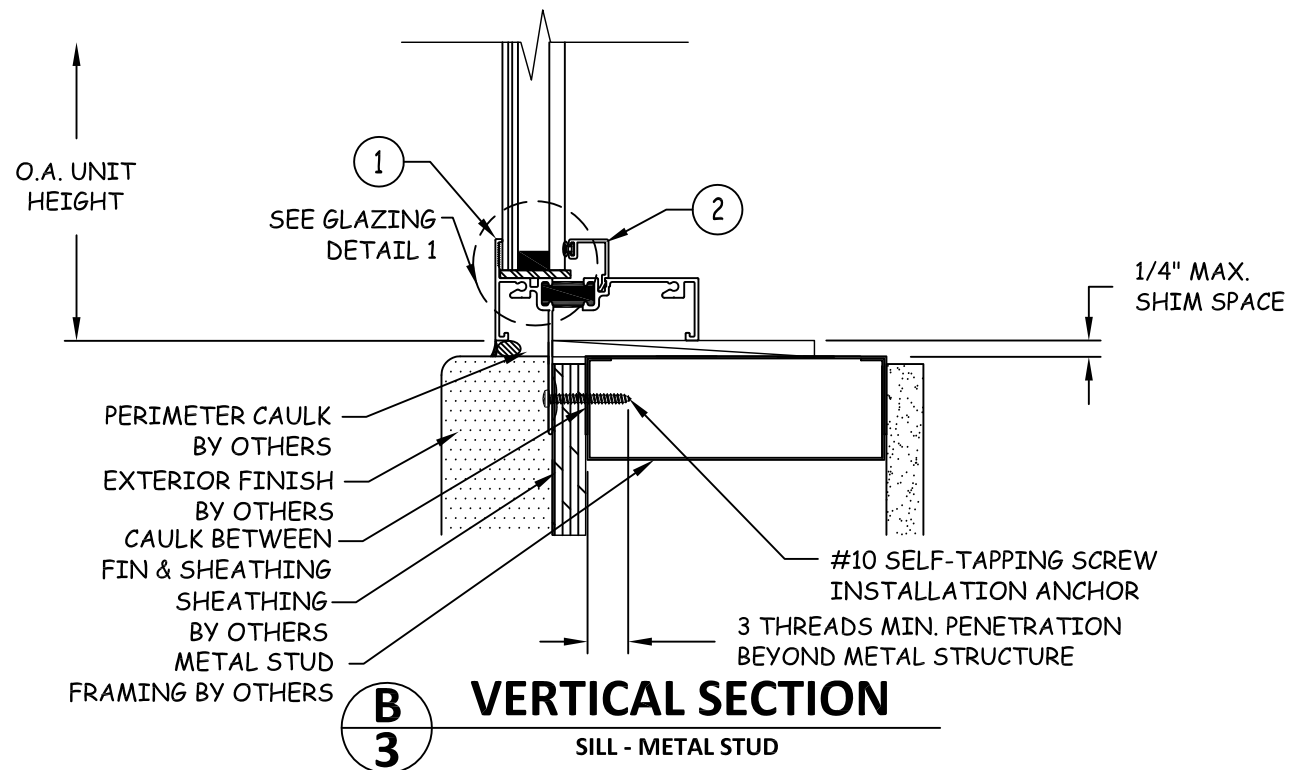
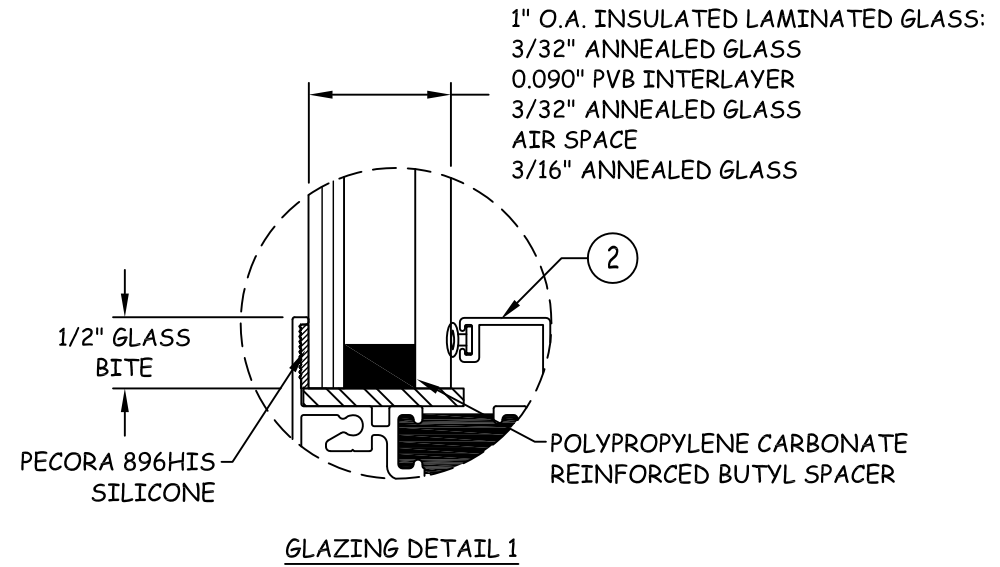
DATE: 07.17.12
DWN BY: MSS
CHK BY: HFN
SCALE: NTS

DWG #: **QWP010**

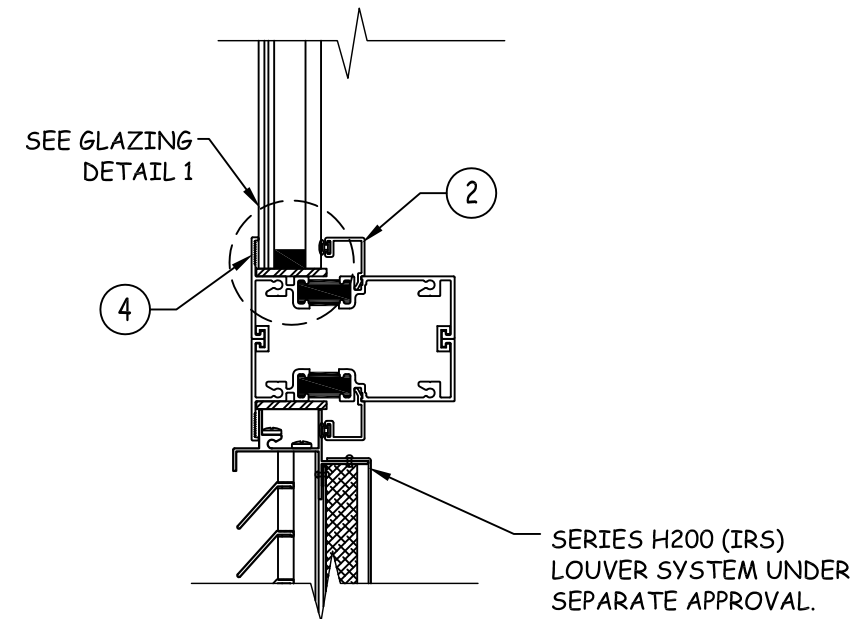
SHEET: **2 OF 5**



A
3 VERTICAL SECTION
HEAD - 2X WOOD BUCK



B
3 VERTICAL SECTION
SILL - METAL STUD

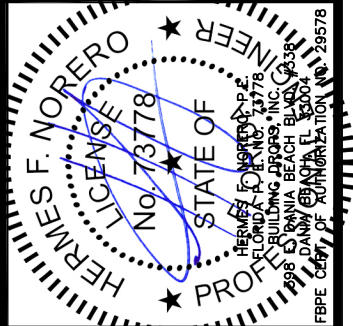


C
3 VERTICAL SECTION
MULLION
PICTURE WINDOW/LOUVER

TITLE: SERIES 340 (E700)
FIXED WINDOW
VERTICAL SECTIONS
& GLAZING DETAIL

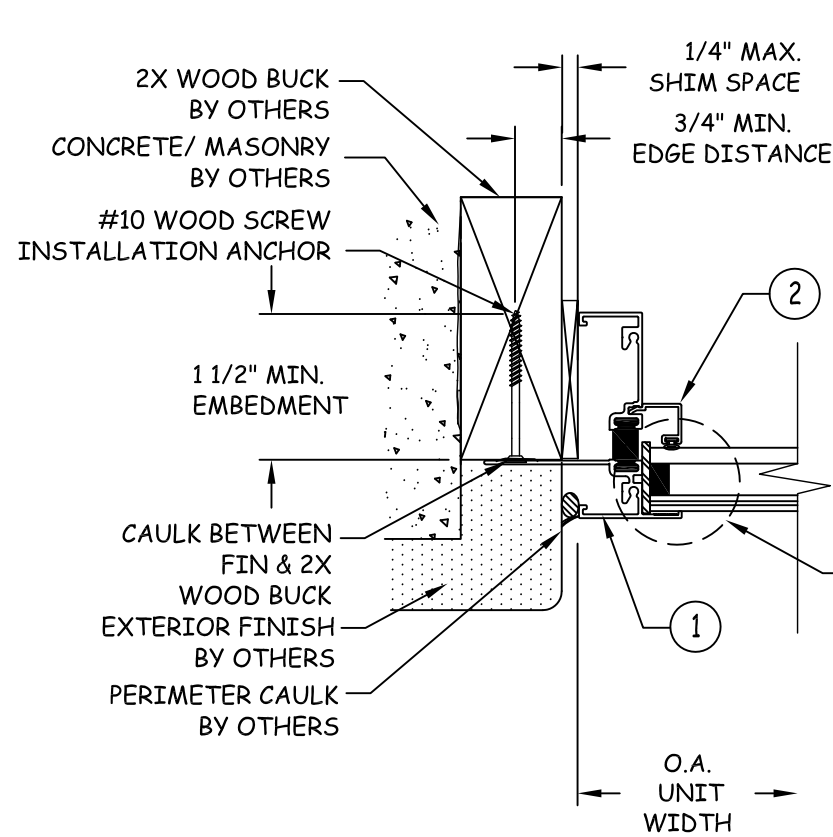
PREPARED BY:
BUILDING DROPS, INC.
398 E. DANIA BEACH BLVD. #338
DANIA BEACH, FL 33004
PH: (954) 399-8478 FX: (954) 744-4738

NO.	REVISIONS	DESCRIPTION	BY	DATE

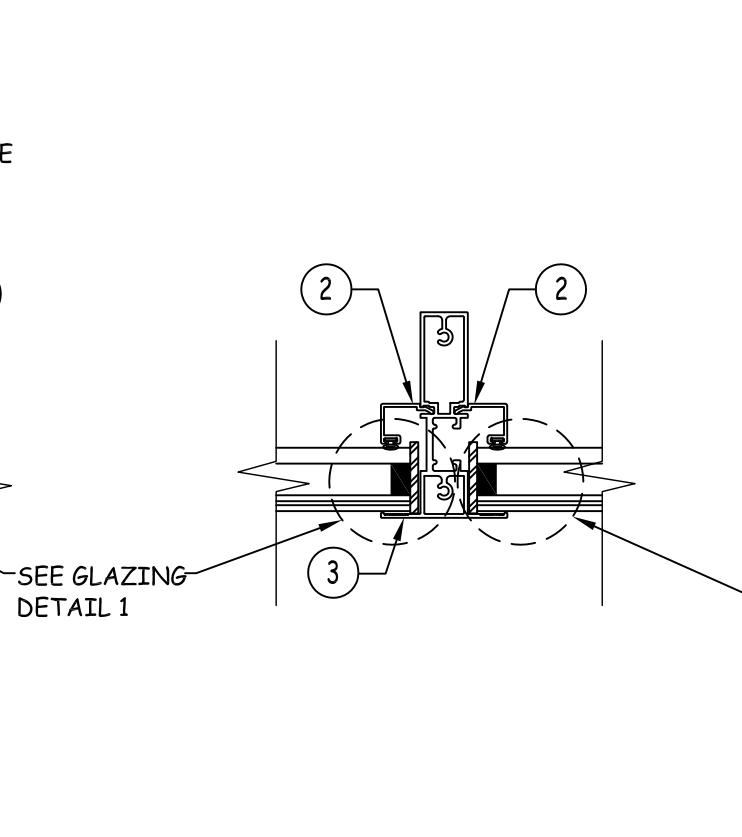


DATE: 07.17.12
DWN BY: MSS
CHK BY: HFN
SCALE: NTS

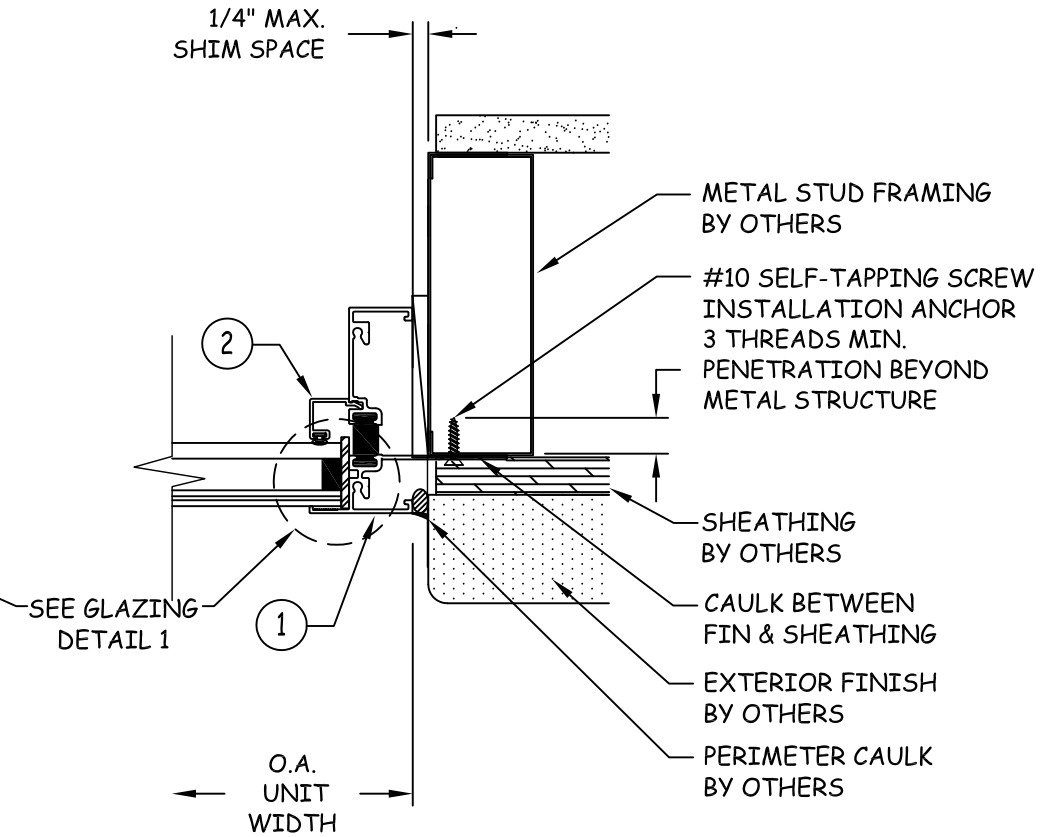
DWG #: **QWP010**
SHEET: **3 OF 5**



D
4 HORIZONTAL SECTION
JAMB - 2X WOOD BUCK



E
4 HORIZONTAL SECTION
MULLION

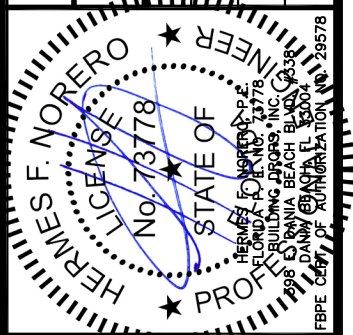


F
4 HORIZONTAL SECTION
JAMB - METAL STUD

TITLE: SERIES 340 (E700)
FIXED WINDOW
HORIZONTAL SECTIONS

PREPARED BY:
BUILDING DROPS, INC.
398 E. DANIA BEACH BLVD. #338
DANIA BEACH, FL 33004
PH: (954) 399-8478 FX: (954) 744-4738

REVISIONS		NO.	DESCRIPTION	BY	DATE

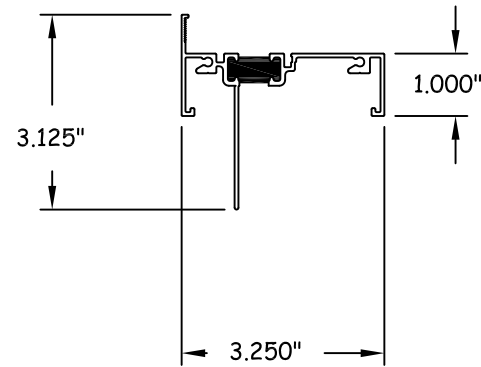


DATE: 07.17.12
DWN BY: MSS
CHK BY: HFN
SCALE: NTS

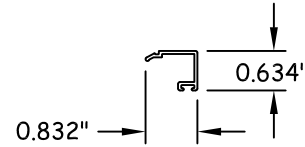
DWG #: **QWP010**
SHEET: **4 OF 5**

BILL OF MATERIALS			
NO.	DESCRIPTION	MATERIAL	MANUFACTURER
1	FIXED WINDOW FRAME	ALUMINUM 6063-T6	QUAKER
2	GLAZING STOP	ALUMINUM 6063-T6	QUAKER
3	MULLION	ALUMINUM 6063-T6	QUAKER
4	MULLED FRAME	ALUMINUM 6063-T6	QUAKER

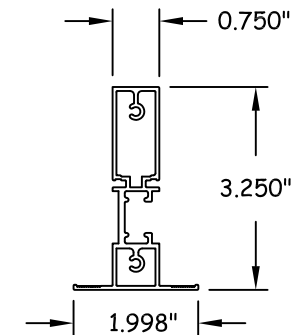
1 FRAME- HEAD,SILL & JAMB
6063-T6 ALUMINUM
TYPICAL WALL
THICKNESS: 0.062"



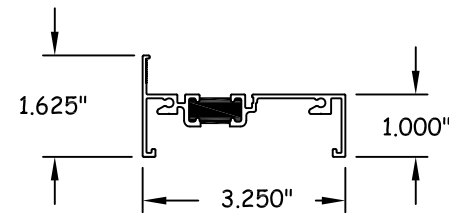
2 JAMB GLAZING STOP
6063-T6 ALUMINUM
TYPICAL WALL
THICKNESS: 0.062"



3 MULLION
6063-T6 ALUMINUM
TYPICAL WALL
THICKNESS: 0.062"



4 MULLED FRAME
6063-T6 ALUMINUM
TYP. WALL THICKNESS: 0.062"

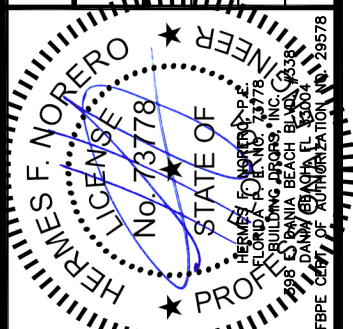


504 HIGHWAY 63 SOUTH
FREEBURG, MO 65582
PH: (651) 264-5150 FX: (651) 264-5485

TITLE: SERIES 340 (E700)
FIXED WINDOW
BILL OF MATERIALS &
COMPONENTS

PREPARED BY:
BUILDING DROPS, INC.
398 E. DANIA BEACH BLVD. #338
DANIA BEACH, FL 33004
PH: (954) 399-8478 FX: (954) 744-4738

REVISIONS		BY	DATE
NO.	DESCRIPTION		



DATE: 07.17.12
DWN BY: MSS
CHK BY: HFN
SCALE: NTS

DWG #: QWP010
SHEET: 5 OF 5